



RH200A/B/C RH-RM500A/B/C METRIC WHEELS



Metric wheels

Eltra's metric wheels series is studied for specific industrial application where is required to measure a linear movement (i.e. continuous sheet cutting machines of wood, textiles, glass, etc.). Precise reading and high stress resistance are the main features of those encoders. The body is entirely designed of aluminium and mounted using an oscillating arm pivoted on the axial. It comes with an integrated self-lubricating compact box to assure a long operation period without any maintenance. The weighty metric wheel keeps a stable contact with the material, allowing an accurate measurement of both length and speed.

The wheel surface can be in crossed-knurled aluminium, special anti-oil or anti-slide rubber.



Ordering code

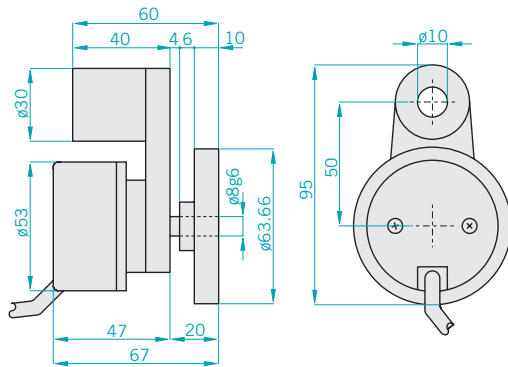
Full stop to separate special versions

RH		200	A	500	Z	5	N	8	X	3	P	R	.	XXX
support RH200-500	RH													
support RM500	RM													
200mm linear wheel		200												
500mm linear wheel		500												
Wheel type														
	smooth	A												
	knurled	B												
	rubberized	C												
Resolutions														
	from 1 to 10000	PPR series RM500												
	from 40 to 1024	PPR series RH200/500												
<i>Please, directly contact our offices for pulses availability</i>														
Zero pulse														
	without zero pulse	S												
	with zero pulse	Z												
Input voltage														
	series RM500	5 ÷ 28												
	series RH200/500	5 / 8 ÷ 24												
<i>LINE DRIVER only available with input voltage 5 Vdc or 8 ÷ 24 Vdc</i>														
Output types														
	NPN	N												
	NPN OPEN COLLECTOR	C												
	PUSH PULL	P												
	LINE DRIVER	L												
<i>For optionals about output types please refer to incremental outputs section</i>														
Special version code														
numbered from 001 to 999														
Radial/Axial														
	radial	R												
	axial	A												
Cable output														
	(standard length 0,5 m for RH200)	P												
	(standard length 1,5 m for RH-RM500)													
Connectors														
	connector MS3106E 16S-1S o 18-1S	M												
	connector JMSP 1607 F o 1610 F	J												
<i>M and J connectors only available for metric wheels RH-RM500 series</i>														
R.P.M.														
	3000	3												
Enclosure rating														
	standard IP54	X												
	standard IP64													
	optional IP66	S												
Bore diameter														
	∅ 8 mm	8												
	∅ 10 mm	10												

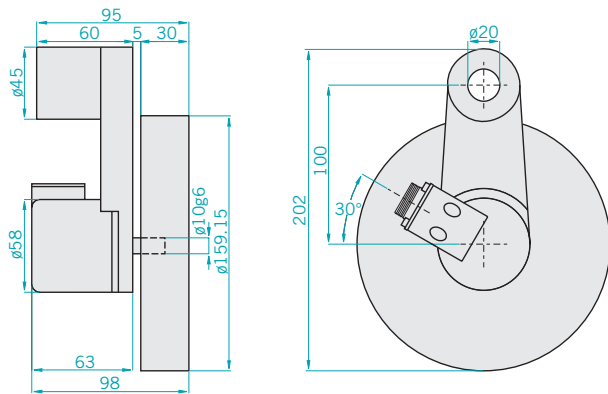
SPECIAL PRODUCTS

RH200A/B/C
RH-RM500A/B/C

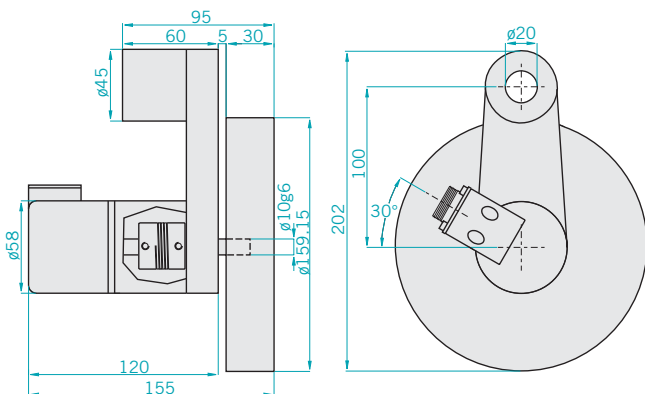
RH200



RH500



RM500



RM 500 series electrical specifications

Resolution	from 1 to 10000 PPR
Input voltage	5 ÷ 28 Vdc LINE DRIVER only available with input voltage 5/8 ÷ 24 Vdc
Input current with no output load	100 mA MAX
Source and sink current	50 mA for channel 20 mA for channel with LINE DRIVER
Output types	NPN / NPN OPEN COLLECTOR / PUSH PULL / LINE DRIVER
Frequency response	300 KHz MAX $F = \frac{\text{RPM} \times \text{Resolution}}{60}$

RH200 series electrical specifications

Resolution	from 40 to 1024 PPR
Input voltage	5Vdc / 8 ÷ 24 Vdc
Input current with no output load	100 mA MAX
Source and sink current	50 mA for channel 20 mA for channel with LINE DRIVER
Output types	NPN / NPN OPEN COLLECTOR / PUSH PULL / LINE DRIVER
Frequency response	100 KHz MAX $F = \frac{\text{RPM} \times \text{Resolution}}{60}$

Mechanical specifications

Bore diameter	ø8 mm g6 RH200 ø10 mm g6 RH-RM500
Enclosure rating	IP54 standard for RH200 IP64 standard for RH-RM500 IP66 optional (only RH-RM500)
Shaft speed	3000 RPM
Shock	50 G for 11 msec (with plastic disc) 20 G for 11 msec (with glass disc)
Vibrations	10G 10 ÷ 2000 Hz
Bearings life	10 ⁹ revolutions
Bearings	n° 2 ball bearings +n° 2 ball bearings on support for RM500
Shaft material	Stainless steel AISI303
Housing material	Aluminium - UNI 5076
Support material	Aluminium - UNI 9002/5 painted
Wheel material	Aluminium - UNI 9002/5 for Sv.200
Operating temperature	0° ÷ +60°C
Storage temperature	-25° ÷ +70°C
Weight + support	250g for RH200 1000g for RM500
Wheels weights	100g for Sv.200 800g for Sv.500

SPECIAL PRODUCTS

RH200A/B/C
RH-RM500A/B/C IN012IT0305A

