

MAIN FEATURES

Thanks to the magnetic technology, the EMI 40 series is suitable for harsh environment applications such as marble and glass working machines, washing systems and generally for industrial automation.

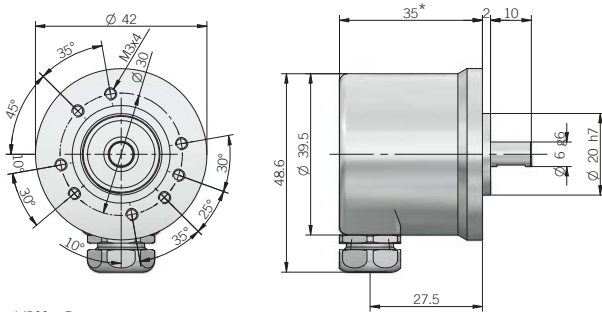
- Up to 2048 ppr
- Several output types available
- Up to 100°C working temperature
- Axial or radial cable output
- Up to IP 66 as protection grade



ORDERING CODE

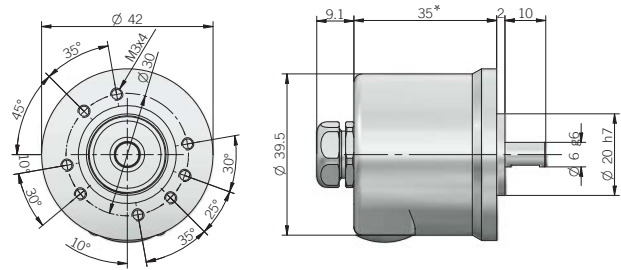
EMI 40	A	1024	Z	5	L	6	X	6	P	R	.	XXX
SERIES magnetic incremental encoder EMI	SIZE mm 40	FLANGE TYPE A	RESOLUTION (only powers of 2) ppr from 2 to 2048 ppr 10 / 20 / 25 / 40 / 50 / 80 / 100 / 125 / 200 / 250 / 400 / 500 <i>please directly contact our offices for pulses availability</i>	ZERO PULSE without zero pulse S with zero pulse Z	POWER SUPPLY 5 V DC 5 5 ... 28 V DC 5/28 8 ... 24 V DC 8/24 <i>line driver available only with 5 V DC or 8 ... 24 V DC power supply</i>	SHAFT DIAMETER 4 mm 6 mm	ENCLOSURE RATING X IP 64 S IP 66	MAX ROTATION SPEED 3 3000 rpm (with IP66) 6 6000 rpm	OUTPUT TYPE P cable output with SKINTOP® (standard length 0.5 m)	OUTPUT DIRECTION A axial R radial	VARIANT XXX custom version	
						ELECTRONIC INTERFACE P push-pull L line driver						

EMI 40 A radial cable output



* IP66 + 7mm

EMI 40 A axial cable output



* IP66 + 7mm

Mechanical specifications

Shaft diameter	Ø 4 / 6 mm
Enclosure rating	IP 64 (IEC 60529) IP 66 (IEC 60529)
Max rotation speed	6000 rpm 3000 rpm with IP66
Shock	50 G, 11 ms (IEC 60068-2-27)
Vibration	10 G, 10 ... 2000 Hz (IEC 60068-2-6)
Body material	aluminum UNI 9002/5
Shaft material	stainless steel UNI X10CrNiS1809
Housing material	painted aluminum
Bearings	2 ball bearings
Bearing lifetime	10 ⁹ revolutions
Operating temperature	-25° ... +100°C
Storage temperature	-25° ... +85°C
Weight	100 g

Electrical specifications

Resolution	up to 2048 ppr
Power supply	5 V DC ± 10% 5 ... 28 V DC ± 5% 8 ... 24 V DC ± 5%
Current consumption without load	80 mA max
Max load current	15 mA for channel
Electronic interface	push-pull line driver HTL / RS422
Max output frequency	205 kHz
Counting direction	A leads B clockwise (shaft view)
Accuracy	± 0.35° max
Electromagnetic compatibility	IEC 61000-6-2 IEC 61000-6-3

Connections

Function	8 core wire	5 core wire
+V DC	red	red
0 V	black	black
Ch. A	green	green
Ch. A-	brown	/
Ch. B	yellow	yellow
Ch. B-	orange	/
Ch. Z	blue	blue
Ch. Z-	white	/
⏏	shield	shield