



EL 63 AX / DX

STAINLESS STEEL INCREMENTAL ENCODERS



ISO 9001:2000



Main features

Thanks to the stainless steel enclosure, this encoder is suitable for food and beverage machinery, cranes and winches for ships, offshore applications, washing systems and for all those environments where high corrosion resistance is required.



Ordering code

EL 63 AX 1024 Z 5/28 L 10 X 6 P R . XXX

incremental encoder **EL** | size **63** | special version code (from 001 to 999)

Flange
stainless steel A model **AX**
stainless steel D model **DX**

R radial

PC cable output with SKINTOP®
(standard length 1.5 m)

Resolution
cpr from 1 to 10000
please directly contact our offices for pulses availability

Max rotation speed
3 3000 rpm

Zero pulse
without zero pulse **S**
with zero pulse **Z**

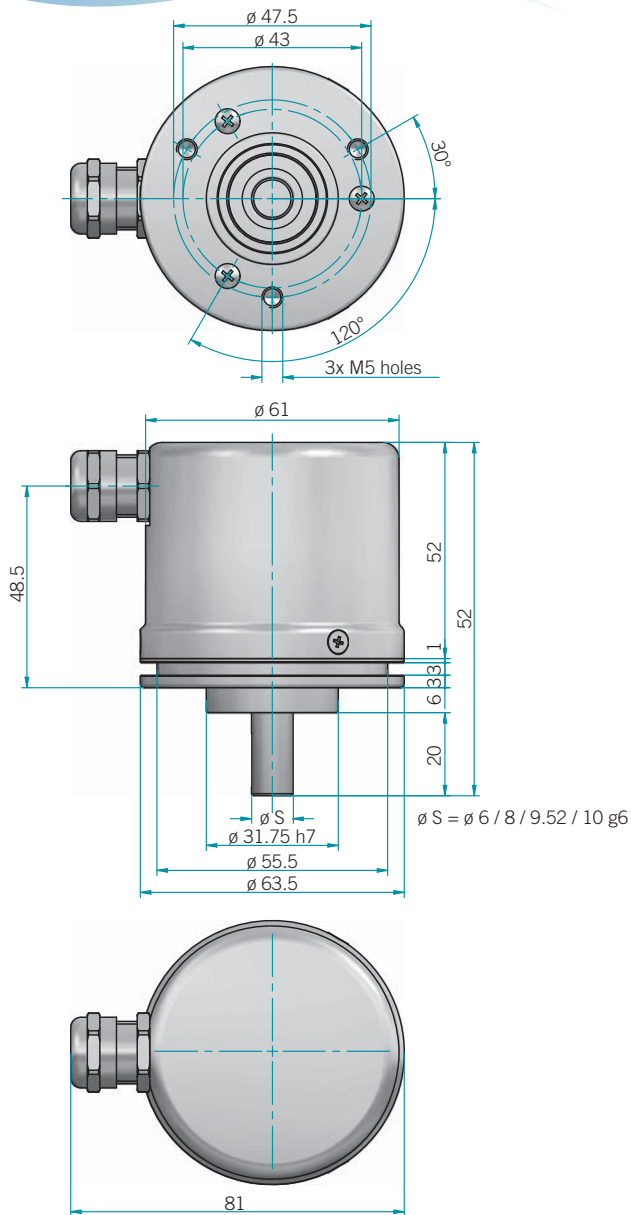
Enclosure rating
S IP66

Power supply
5±28 V DC **5/28**
line driver available only with 5 V DC or 8±24 V DC power supply

Shaft diameter
6 ø 6 mm
8 ø 8 mm
9 ø 9.52 mm (3/8")
10 ø 10 mm

Output type
N NPN
C NPN open collector
P push-pull
L line driver

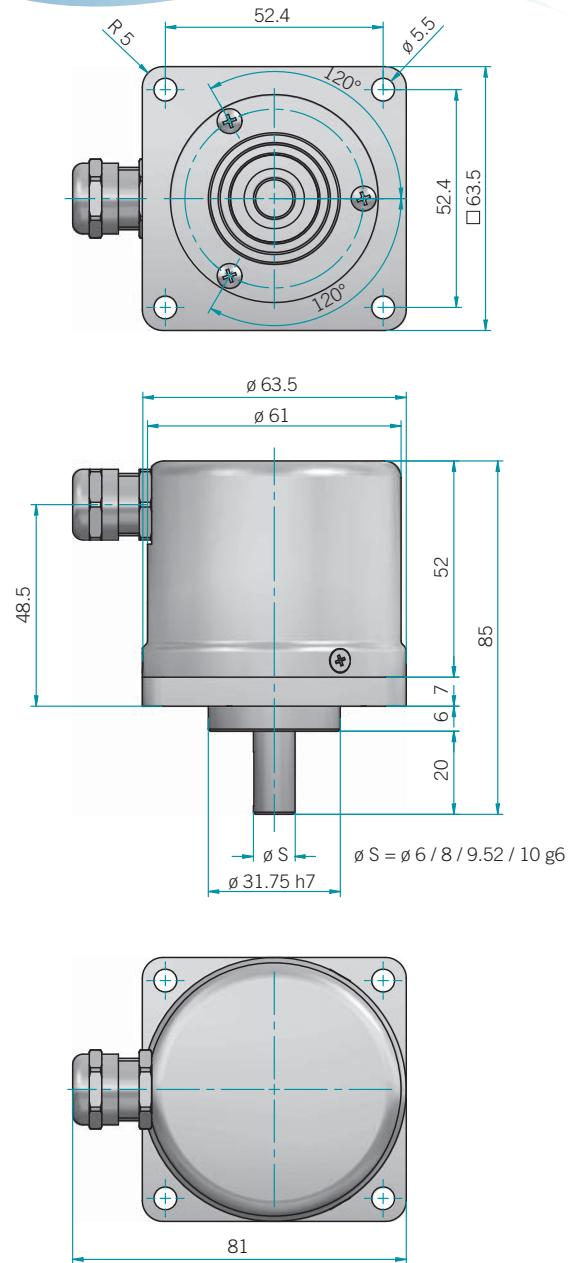
EL 63 AX



Mechanical specifications

Shaft diameter	6 / 8 / 9.52 / 10 mm
Enclosure rating	IP66
Max rotation speed	3000 rpm
Shock	50 G, 11 ms
Vibration	10 G, 10÷2000 Hz
Body material	stainless steel
Shaft material	stainless steel
Housing material	stainless steel
Bearings	2 ball bearings
Bearing lifetime	10 ⁹ revolutions
Operating temperature	0÷60 °C
Storage temperature	-15÷70 °C
Weight	650 g

EL 63 DX



Electrical specifications

Resolution	up to 10000 cpr
Power supply	5÷28 V DC <i>line driver available only with 5 V DC or 8÷24 V DC power supply</i>
Current consumption without load	100 mA max
Max load current	50 mA per channel 20 mA per channel (line driver)
Output types	NPN NPN open collector push-pull line driver
Max output frequency	300 kHz
Electromagnetic compatibility	IEC 61000-6-2 IEC 61000-6-3