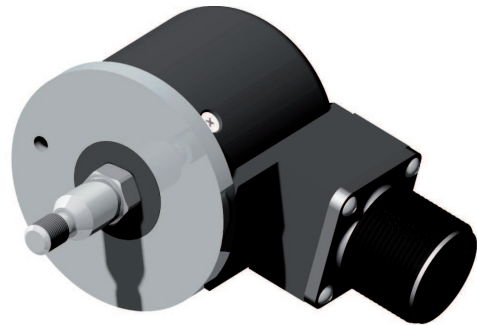


MAIN FEATURES

Standard \varnothing 63 encoder series for industrial applications with high mechanical resistance requirements. These encoders are designed to support high radial and axial shaft load and they can be mounted by means of flanges or servo-fasteners.

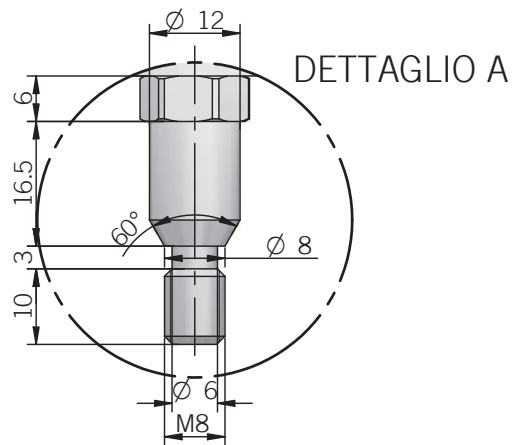
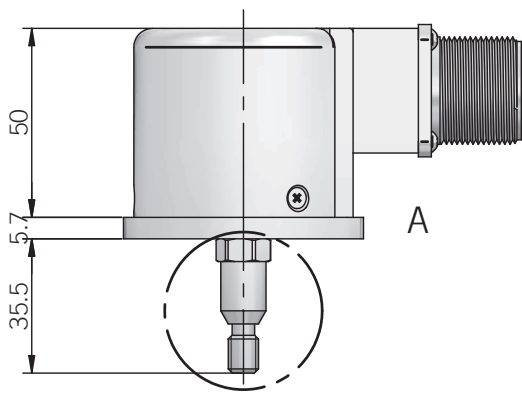
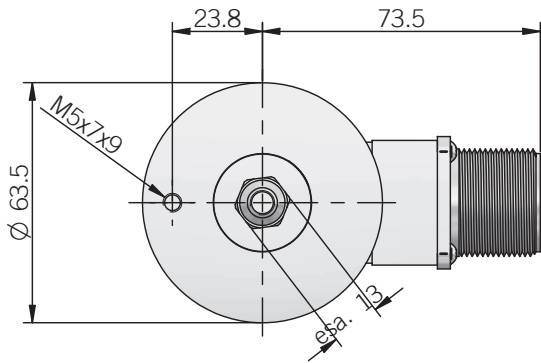
- Up to 2500 ppr with zero.
- Several output types available
- Up to 28 V DC power supply.
- Up to 150 kHz output frequency.
- Cable or connector output
- Up to 6000 RPM rotation speed
- Up to IP 54 sealing



ORDERING CODE

EL	63	M	1000	Z	5/28	P	12/8	X	6	M	R	.	XXX
SERIES incremental encoder series EL	SIZE mm 63	TYPE M	RESOLUTION ppr from 1 to 2500 <i>please directly contact our offices for pulses availability</i>	ZERO PULSE without zero pulse S with zero pulse Z	POWER SUPPLY 5 ... 28 V DC 5/28 <i>line driver available only with 5 V DC or 8 ... 24 V DC power supply</i>						OUTPUT TYPE P cable output (standard length 1,5 m) M M connector output J J connector output		VARIANT XXX custom version
											DIRECTION TYPE A axial R radial		
											MAX ROTATION SPEED 3 3000 rpm 6 6000 rpm		
											ENCLOSURE RATING X IP 54 (standard)		
											SHAFT DIAMETER 12/8 mm \varnothing 12/M8		
											ELECTRONIC INTERFACE N NPN C NPN open collector P push-pull L line driver		

EL 63 M



Electrical specifications	
Resolution	from 1 to 2500 ppr
Power supply	5 ... 28 V DC <i>(line driver available only with 5 V DC or 8 ... 24 V DC)</i>
Current consumption without load	100 mA max
Max load current	50 mA for channel 20 mA for channel (line driver)
Output type	NPN / NPN open collector / push-pull / line driver
Max output frequency	150 kHz
Electromagnetic compatibility	IEC 61000-6-2 IEC 61000-6-3

Mechanical specifications	
Shaft diameter	Ø 12/M8
Enclosure rating	IP 54 (standard) (IEC 60529)
Max rotation speed	3000 rpm 6000 rpm
Max shaft load	200 N (20 Kp)
Shock	50 G, 11 ms (plastic disc) (IEC 60068-2-27) 20 G, 11 ms (glass disc) (IEC 60068-2-27)
Vibration	10 G, 10 ... 2000 Hz (IEC 60068-2-6)
Body material	aluminum UNI 5076
Shaft material	stainless steel UNI X10CrNiS1809
Housing material	PA 66 glass fiber reinforced
Bearings	2 ball bearings
Bearings life	10 ⁹ revolutions
Operating temperature	0° ... +60°C
Storage temperature	-25° ... +70°C
Weight	350 g