



EL 40 M

INCREMENTAL ENCODER



ISO 9001:2000



Main features

Small size encoder to be mounted directly on motors. The internal coupling allows radial and axial compensations. Thanks to the possibility of full rotation, the easy zero setting is one of the main features of this transducer.



Ordering code

EL 40 M 1024 Z 5/28 L 6 X 6 P R . XXX

incremental encoder **EL**

size **40**

Flange
standard **M**

Resolution
cpr from **1** to **1024**

please directly contact our offices for pulses availability

Zero pulse
without zero pulse **S**
with zero pulse **Z**

Power supply
5÷28 V DC **5/28**
line driver available only with 5 V DC or 8÷24 V DC power supply

Bore diameter
6 ∅ 6 mm

Output type

- N** NPN
- C** NPN open collector
- P** push-pull
- L** line driver

Enclosure rating
X IP54

Max rotation speed
6 6000 rpm

P cable output with bushing (standard length 0.5 m)

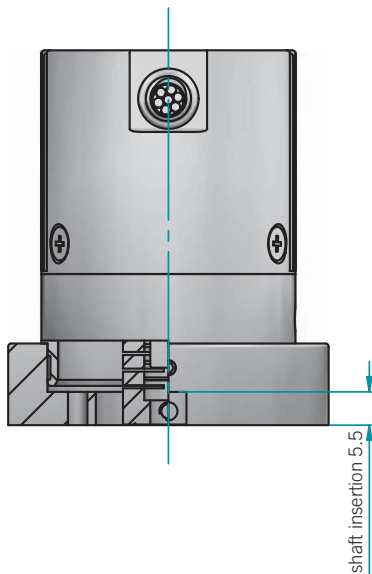
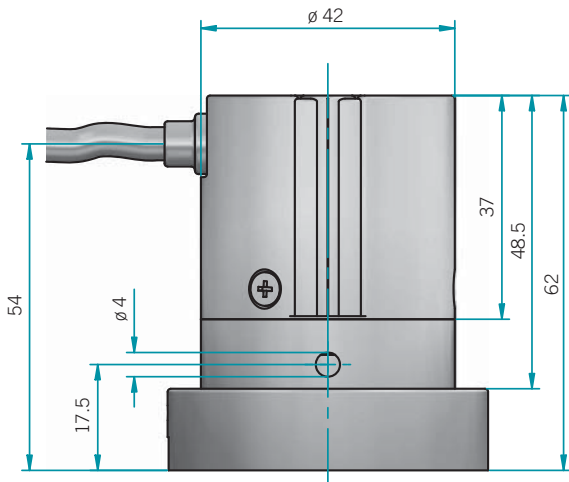
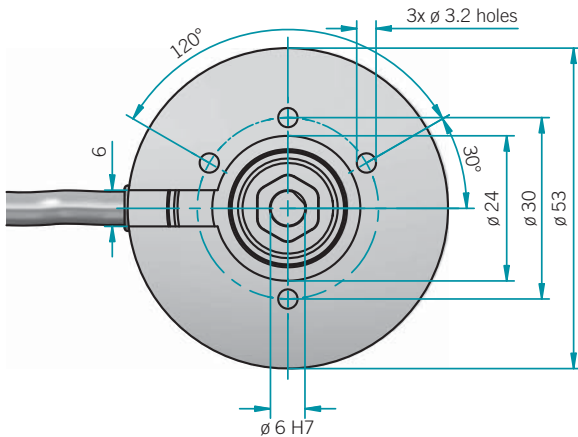
A axial
R radial

special version code
(from 001 to 999)

Hollow shaft incremental encoders

EL 40 M

EL 40 M



Electrical specifications

Resolution	from 1 to 1024 cpr
Power supply	5÷28 V DC line driver available only with 5 V DC or 8÷24 V DC power supply
Current consumption without load	100 mA max
Max load current	50 mA per channel 20 mA per channel (line driver)
Output types	NPN NPN open collector push-pull line driver
Max output frequency	100 kHz
Electromagnetic compatibility	IEC 61000-6-2 IEC 61000-6-3

Mechanical specifications

Bore diameter	6 mm
Enclosure rating	IP54
Max rotation speed	6000 rpm
Max shaft load	5 N (0.5 kgf) axial 5 N (0.5 kgf) radial
Shock	50 G, 11 ms
Vibration	10 G, 10÷2000 Hz
Body material	aluminum UNI 9002/5
Shaft material	stainless steel UNI X10CrNiS1809
Housing material	PA66 glass fiber reinforced
Bearings	2 ball bearings
Bearing lifetime	10 ⁹ revolutions
Operating temperature	0÷60 °C
Storage temperature	-25÷70 °C
Weight	150 g