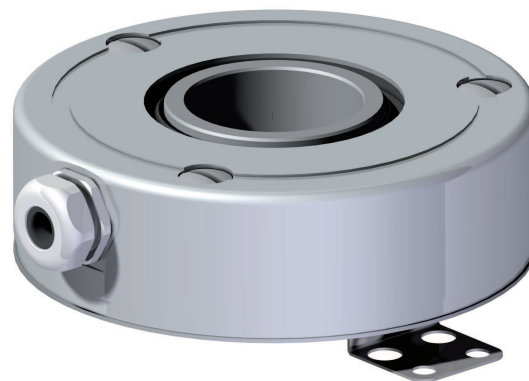


## MAIN FEATURES

∅ 88 mm through hollow shaft encoder designed for middle size asynchronous motors.

- Up to 30mm bore diameter
- Easy mounting
- Sturdy mechanic
- Resolution up to 2500 ppr with zero signal
- Several output electronics
- Power supply up to 28 V DC
- Responce frequency up to 105 KHz



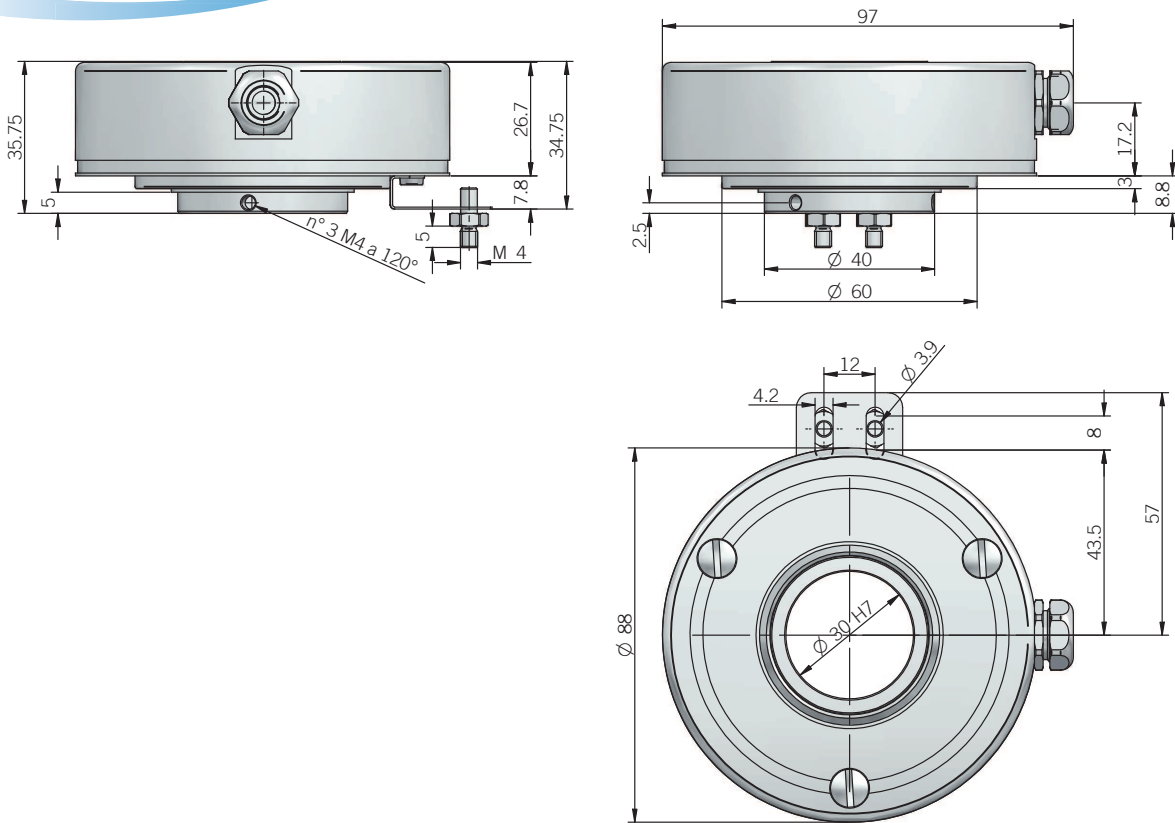
## ORDERING CODE

**EH 88 P 1024 Z 5/28 P 30 X 3 PR . XXX**

<b>SERIES</b> incremental encoder series <b>EH</b> incremental encoder series <b>EL</b>	<b>SIZE</b> mm <b>88</b>	<b>TYPE</b> through hollow shaft <b>P</b>	<b>RESOLUTION</b> EH series ppr <b>250 / 256 / 500 / 512 / 700 / 720 / 1000</b> / <b>1024 / 1440 / 2500</b> EL series ppr from <b>1</b> to <b>2048</b> <i>please directly contact our offices for pulses availability</i>	<b>ZERO PULSE</b> without zero pulse <b>S</b> with zero pulse <b>Z</b>	<b>POWER SUPPLY</b> <b>5 ... 28 V DC 5/28</b> <b>5 V DC 5</b> <b>8 ... 24 V DC 8/24</b> <i>line driver available only with 5 V DC or 8 ... 24 V DC power supply</i>	<b>MAX ROTATION SPEED</b> <b>3 3000 rpm</b>	<b>ENCLOSURE RATING</b> <b>X IP 65</b>	<b>BORE DIAMETER</b> <b>20 mm</b> <b>25 mm</b> <b>25,4 mm (1")</b> <b>28 mm</b> <b>30 mm</b>	<b>ELECTRONIC INTERFACE</b> <b>N</b> NPN (available only EL series) <b>C</b> NPN open collector (available only EL series) <b>P</b> push-pull <b>L</b> line driver	<b>VARIANT</b> <b>XXX</b> custom version	<b>OUTPUT TYPE</b> <b>PR</b> cable output radial with SKINTOP® (standard length 0.5 m)
---	-----------------------------	--	---	--	---	--	---	---	--	---	--

*N.B.: for accessories see Accessories datasheet*

## EH-EL 88 P



### Mechanical specifications

<b>Bore diameter</b>	∅ 20 / 25 / 25,4 (1") / 28 / 30 mm
<b>Enclosure rating</b>	IP 65 (IEC 60529)
<b>Shock</b>	50 G, 11 ms (IEC 60068-2-27)
<b>Vibration</b>	10 G, 10÷2000 Hz (IEC 60068-2-6)
<b>Max rotation speed</b>	3000 rpm
<b>Body material</b>	aluminum UNI 9002/5
<b>Shaft material</b>	stainless steel UNI X10CrNiS1809
<b>Housing material</b>	aluminum UNI 9002/5
<b>Bearings</b>	2 ball bearings
<b>Bearings life</b>	10 <sup>9</sup> revolutions
<b>Operating temperature</b>	-10° ... +70 °C
<b>Storage temperature</b>	-25° ... +85 °C
<b>Weight</b>	350 g

### Electrical specifications

<b>Resolution</b>	250 / 256 / 500 / 512 / 700 / 720 / 1000 / 1024 / 1440 / 2500 ppr EH series from 1 to 2048 ppr EL series
<b>Power supply</b>	5 ... 28 V DC ± 5% 8 ... 24 V DC ± 5% 5 V DC ± 10% (line driver available only with 5 V DC or 8 ... 24 V DC)
<b>Current consumption without load</b>	100 mA max
<b>Max load current</b>	50 mA for channel 20 mA for channel (line driver)
<b>Electronic interface for incremental signals</b>	NPN / NPN open collector (only EL series) push-pull / line driver
<b>Counting direction</b>	A leads B clockwise (shaft view)
<b>Max output frequency</b>	105 kHz
<b>Electromagnetic compatibility</b>	IEC 61000-6-2 IEC 61000-6-3

### Connections and standard colours

Function	8 core wire	5 core wire
+V DC	red	red
0 V	black	black
Ch. A	green	green
Ch. A-	brown	/
Ch. B	yellow	yellow
Ch. B-	orange	/
Ch. Z	blue	white
Ch. Z-	white	/
⊥	shield	shield