

## MAIN FEATURES

Sturdy, encoder suitable for heavy duty applications.

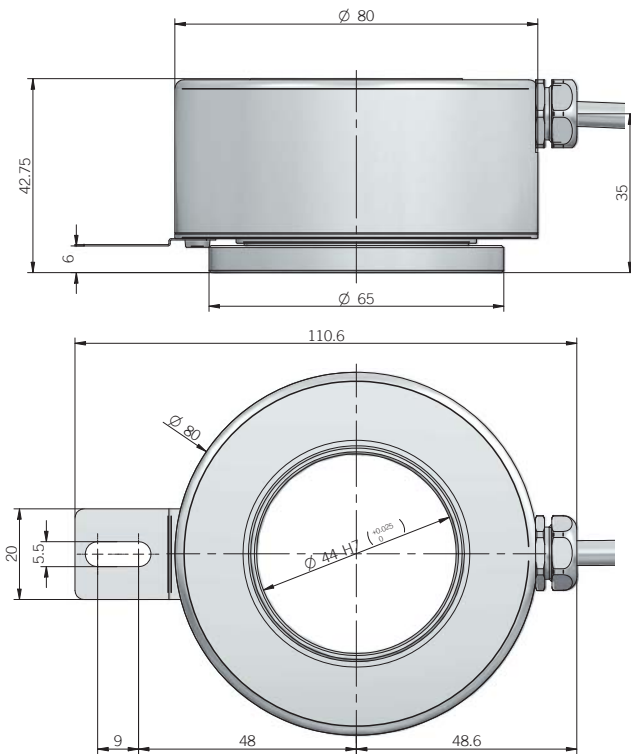
- Compact size
- Bidirectional signal with zero
- Up to 1440 ppr
- Line driver output
- 3000 rpm max
- Working temperature: -20° ... +85 °C



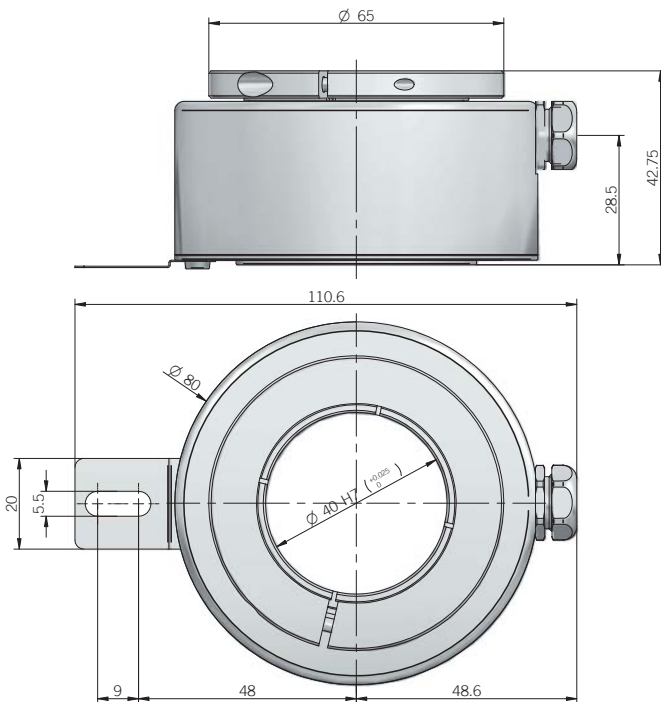
## ORDERING CODE

<b>EH</b>	<b>80</b>	<b>PF</b>	<b>P</b>	<b>1024</b>	<b>Z</b>	<b>5</b>	<b>L</b>	<b>30</b>	<b>X</b>	<b>3</b>	<b>PR</b>	<b>.</b>	<b>XXX</b>
<b>SERIES</b> incremental encoder series <b>EH</b>	<b>SIZE</b> mm <b>80</b>	<b>FIXING TYPE</b> through hollow shaft and fixing with spring <b>PF</b>	<b>TYPE</b> front fixing <b>A</b> rear fixing <b>P</b>	<b>RESOLUTION</b> ppr <b>720 / 1000 / 1024 / 1440</b> <i>please directly contact our offices for pulses availability</i>	<b>ZERO PULSE</b> without zero pulse <b>S</b> with zero pulse <b>Z</b>	<b>POWER SUPPLY</b> <b>5 ... 28 V DC 5/28</b> <b>5 V DC 5</b> <b>8 ... 24 V DC 8/24</b> <i>line driver available only with 5 V DC or 8 ... 24 V DC power supply</i>	<b>VARIANT</b> <b>XXX</b> custom version	<b>OUTPUT TYPE</b> <b>PR</b> cable output radial (standard length 0.5 m)	<b>MAX ROTATION SPEED</b> <b>3</b> 3000 rpm	<b>ENCLOSURE RATING</b> <b>X</b> IP 64	<b>HOLLOW SHAFT</b> <b>30</b> mm <b>35</b> mm <b>40</b> mm <b>44</b> mm	<b>ELECTRONIC INTERFACE</b> <b>P</b> push pull <b>L</b> line driver	

## EH 80 PFA



## EH 80 PFP



### Mechanical specifications

<b>Bore diameter</b>	ø 30 / 35 / 40 / 44 mm
<b>Enclosure rating</b>	IP 64 (IEC 60529)
<b>Max rotation speed</b>	3000 rpm
<b>Shock</b>	50 G, 11 ms (IEC 60068-2-27)
<b>Vibrations</b>	10 G, 10÷2000 Hz (IEC 60068-2-6)
<b>Body material</b>	aluminum UNI 9002/5
<b>Shaft material</b>	stainless steel UNI X10CrNiS1809 (AISI 303)
<b>Housing material</b>	aluminum UNI 9002/5
<b>Bearings</b>	2 ball bearings
<b>Bearings life</b>	10 <sup>9</sup> revolutions
<b>Operating temperature</b>	-20° ... +85 °C
<b>Storage temperature</b>	-20° ... +85 °C
<b>Weight</b>	800 g

### Electrical specifications

<b>Resolution</b>	720 / 1000 / 1024 / 1440 ppr
<b>Power supply</b>	5 ... 28 V DC ± 5% 8 ... 24 V DC ± 5% 5 V DC ± 10% <i>(line driver available only with 5 V DC or 8 ... 24 V DC)</i>
<b>Current consumption without load</b>	100 mA max
<b>Max load current</b>	20 mA for channel
<b>Electronic interface for incremental signals</b>	push-pull line driver
<b>Counting direction</b>	A leads B clockwise (shaft view)
<b>Max output frequency</b>	100 kHz
<b>Electromagnetic compatibility</b>	IEC 61000-6-2 IEC 61000-6-4

### Connections and standard colours

Function	Wire colours
+V DC	red
0 V	black
Ch. A	green
Ch. A-	brown
Ch. B	yellow
Ch. B-	orange
Ch. Z	blue
Ch. Z-	white
⊥	shield