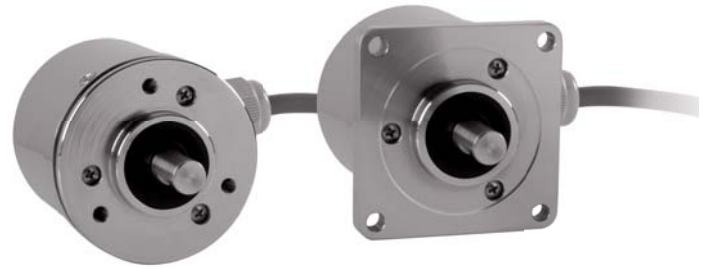


MAIN FEATURES

Thanks to the stainless steel enclosure, the encoder is suitable for food and beverage machinery, cranes and winches for ships, offshore applications, washing systems and all those environments where high corrosion resistance is required. EAM 63 AX / DX is available with SSI output.

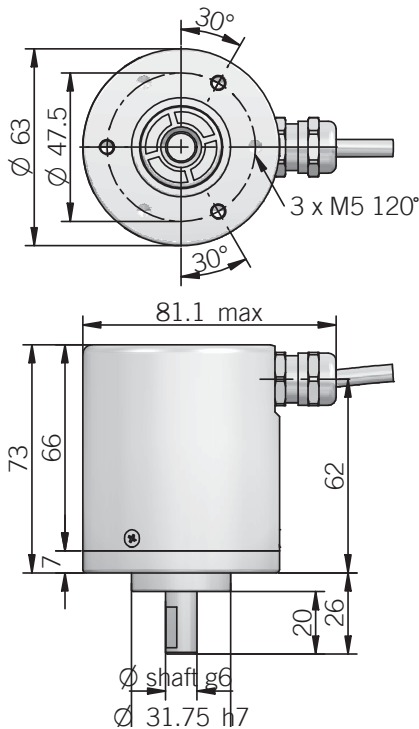
- Maximum frequency 1 MHz
- Up to IP 66 sealing



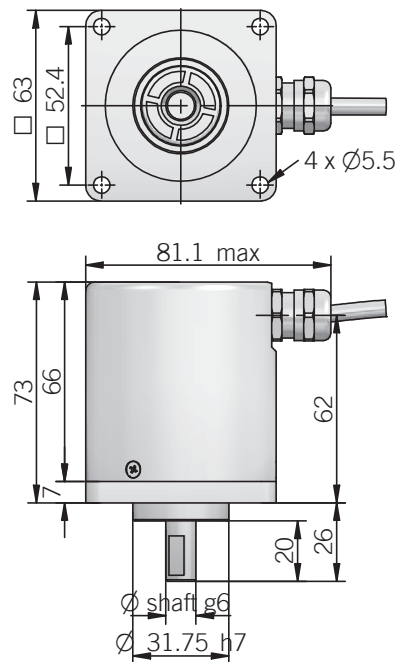
ORDERING CODE

EAM 63 AX 4096 / 4096 G 8/28 S X X 10 S 3 PC R . XXX	
SERIES multiturn absolute encoder EAM	VARIANT XXX custom version
SIZE mm 63	OUTPUT DIRECTION R radial
TYPE synchronous flange \varnothing 31.75 mm AX centering square flange \varnothing 31.75 mm DX	OUTPUT TYPE PC cable output with (standard length 1.5 m)
MULTITURN RESOLUTION 2 / 4 / 8 / 16 / 32 / 64 / 128 / 256 / 512 / 1024 / 2048 / 4096 / 8192 / 16384	MAX ROTATION SPEED 3 3000 rpm
SINGLETURN RESOLUTION 2 / 4 / 8 / 16 / 32 / 64 / 128 / 256 / 512 / 1024 / 2048 / 4096 / 8192	ENCLOSURE RATING S IP 66
<i>N.B.: please directly contact our offices for pulses availability</i>	SHAFT DIAMETER 6 mm 8 mm 9 mm (9.52 mm 3/8") 10 mm
CODE TYPE Binary B Gray (standard) G	OPTION X to be reported if not used
POWER SUPPLY 5 V DC 5 8 ... 28 V DC 8/28	LOGIC X to be reported if not used
ELECTRONIC INTERFACE SSI (Serial Synchronous Interface) S	

EAM 63 AX



EAM 63 DX



Electrical specifications

Multiturn resolution	from 2 to 16384 (powers of 2)
Singleturn resolution	from 2 to 8192 (powers of 2)
Power supply	5 V DC \pm 10% 8 ... 28 V DC \pm 5%
Current consumption without load	100 mA
Electronic interface	SSI RS422
Auxiliary input (U/D)	active high (+Vdc) <i>connect to 0V if not used</i>
Max frequency	100 kHz ... 1 MHz SSI
SSI monostable time (Tm)	18 μ s
SSI pause time (Tp)	> 35 μ s
Accuracy	\pm 1/2 LSB
Counting direction	decreasing clockwise (shaft view)
Start-up time	150 ms
Electromagnetic compatibility	IEC 61000-6-2 IEC 61000-6-4

Output connections for SSI encoder

Function	Cable colours
+ Vdc	red
0 Volt	black
U / D	red-blue
dato +	green
dato -	brown
clock +	yellow
clock -	orange or pink
\equiv	shield

Mechanical specifications

Shaft diameter (mm)	6 / 8 / 9.52 (3/8") / 10
Enclosure rating	IP 66 (IEC 60529)
Max rotation speed	3000 rpm
Max shaft load	10 N (1 Kp) axial with ϕ 6 shaft 20 N (2 Kp) radial with ϕ 6 shaft 100 N (10 Kp) axial 100 N (10 Kp) radial
Shock	50 G, 11 ms (IEC 60068-2-27)
Vibrations	10 G, 10 ... 2000 Hz (IEC 60068-2-6)
Bearings life	10 ⁹ revolutions
Bearings	n° 2 ball bearings
Shaft material	1.4305 / AISI 303 stainless steel
Body material	1.4305 / AISI 303 stainless steel
Housing material	1.4305 / AISI 303 stainless steel
Flange material	1.4305 / AISI 303 stainless steel
Operating temperature	0° ... +60°C
Storage temperature	-15° ... +70°C
Weight	650 g