

MAIN FEATURES

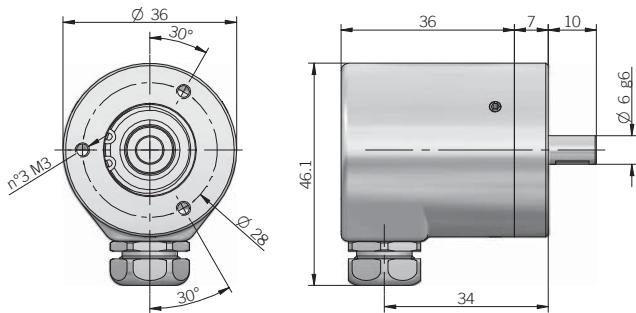
- Compact absolute magnetic multiturn encoder
- 51 bit as maximum resolution (12 singleturn + 39 multiturn)
- Multiturn counting based on self-powered Wiegand system without gears or battery
- Power supply 5 Vdc or 8 ... 30 Vdc
- SSI as electronic interface
- Code reset for easy setup
- Enclosure rating up to IP 65
- Working temperature -20° ... +100°C
- Radial cable output



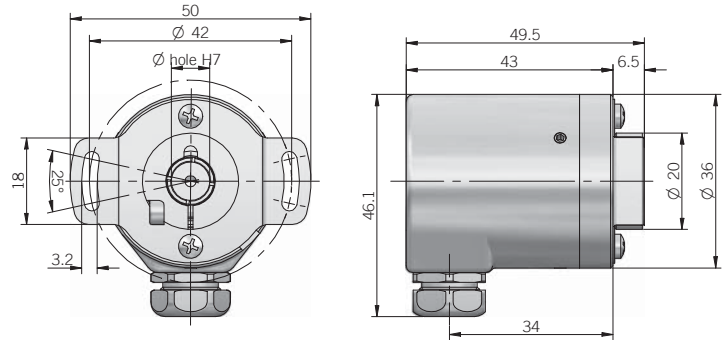
ORDERING CODE

EAM	36	G	13	/	12	G	8/30	S	P	X	6	X	8	P	R	.	XXX	
SERIES multiturn absolute encoder EAM	SIZE mm 36																VARIANT XXX custom version	
		FLANGE / FIXING TYPE solid shaft - syncro flange A blind hollow shaft - spring F blind hollow shaft - antirotation pin G												OUTPUT TYPE P cable output (standard length 0.5 m)				OUTPUT DIRECTION R radial
			MULTITURN RESOLUTION from 1 to 39 bit											MAX ROTATION SPEED 8 8000 rpm				
				SINGLETURN RESOLUTION from 1 to 12 bit										ENCLOSURE RATING X IP 65				
					CODE TYPE Binary B Gray G									SOLID / BLIND HOLLOW SHAFT DIAMETER 6 mm				
						POWER SUPPLY 5 V DC 5 8 ... 30 V DC 8/30								OPTIONS X unused option ZE code reset				
								ELECTRONIC INTERFACE SSI S						LOGIC P positive				

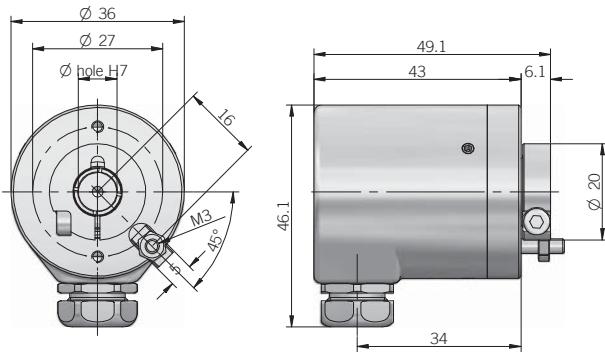
EAM 36 A



EAM 36 F



EAM 36 G



Electrical specifications

Multiturn resolution	from 1 to 39 bit self-powered Wiegand system, without gears or battery
Singleturn resolution	from 1 to 12 bit magnetic technology without contact
Power supply	5 V DC \pm 5% 8 ... 30 V DC \pm 5%
Current consumption without load	100 mA
Electronic interface	SSI RS422
Clock frequency	100 kHz - 1 MHz SSI
Pause time (SSI)	> 35 μ s
Monostable time (SSI)	20 μ s
Auxiliary inputs (U/D - Reset)	active high (+Vdc) connect to 0V if not used / Reset t_{min} 150 ms
Accuracy	+/- 0,35° max
Counting direction	decreasing clockwise (shaft view)
Start-up time	150 ms
Electromagnetic compatibility	IEC 61000-6-2 IEC 61000-6-4

Mechanical specifications

Solid shaft / Blind hollow shaft diameter	6 mm
Enclosure rating	IP 65 (IEC 60529)
Max rotation speed	8000 rpm continuous / 10000 rpm instantaneous
Shaft load	20 N axial / radial
Shock	50 G, 11 ms (IEC 60068-2-27)
Vibrations	10 G, 10 ... 2000 Hz (IEC 60068-2-6)
Life bearing	10 ⁹ revolutions
Bearings	n° 2 ball bearings
Shaft material	AISI 303 stainless steel
Bearing stage material	EN-AW 2011 aluminium
Housing material	AISI 420 stainless steel
Working temperature	-20° ... +100°C
Storage temperature	-20° ... +85°C
Weight	150 g

Connections for SSI output

Function	Cable colour
+ V dc	red
0 Volt	black
data +	green
data -	brown
clk +	yellow
clk -	orange
U / D	red / blue
RESET	white
⏏	shield