



EH-EL 58 B / C / H / T

INCREMENTAL ENCODER



Main characteristics

Standard encoder Ø58 series for industrial applications with high mechanical resistance requirements. Those encoders are designed to support high radial and axial shaft load and they can be mounted with flanges or servo-fasteners.

- Up to 10.000 ppr with zero for EL series, up to 1024 ppr for EH series.
- Several output types available.
- Up to 28 Vdc input voltage for EL series and up to 24 Vdc for EH series.
- Up to 300 kHz frequency response for EL series and up to 100 kHz for EH series
- Output cable with connector.
- Several flanges available
- Up to 6.000 rpm speed rotation
- Up to IP66 sealing



Ordering code

Full stop to separate special versions

EL 58 B 1000 Z 5/28 P 6 X 6 P R . XXX

incremental encoder series **EL**
incremental encoder series **EH**

body dimension **58**

Type of flange

- mod.EH-EL 58 B **B**
- mod.EH-EL 58 C **C**
- mod.EH-EL 58 H **H**
- mod.EH-EL 58 T **T**

Resolution

PPR: for series EL from **1** to **10000**
PPR: for series EH from **40** to **1024**
Please, directly contact our offices for pulses availability

Zero pulse

- without zero pulse **S**
- with zero pulse **Z**

Input voltage

input voltage EL **5 ÷ 28**
input voltage EH **5/8 ÷ 24**
LINE DRIVER available only with input voltage 5 Vdc or 8 ÷ 24 Vdc

Special version code numbered from 001 to 999

R radial
A axial

- P** cable output (standard length 1,5 m)
- M** connector MS3106E 16S-1S o 18-1S
- J** connector JMSP 1607 F o 1610 F

R.P.M.

- 3** 3000
 - 6** 6000
- 3000 RPM MAX with "S" enclosure rating*

Enclosure rating

- X** standard IP54
- S** optional IP66

Shaft diameter

- 6** ø 6 g6 mm EH-EL58 B/C/H
- 8** ø 8 g6 mm EH-EL58 B/C/H/T
- 9** ø 9,52 g6 mm (3/8") EH-EL58 B/C/H
- 10** ø 10 g6 mm EH-EL58 B/C/H/T
- 12** ø 12 g6 mm EH-EL58 T

Output types

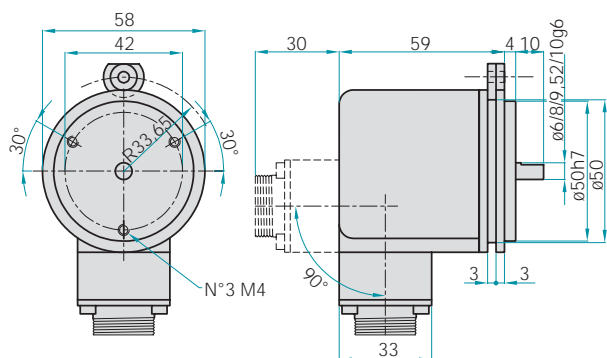
- N** NPN
- C** NPN OPEN COLLECTOR
- P** PUSH PULL
- L** LINE DRIVER (solo serie EL)

For optionals about output types please refer to incremental output section

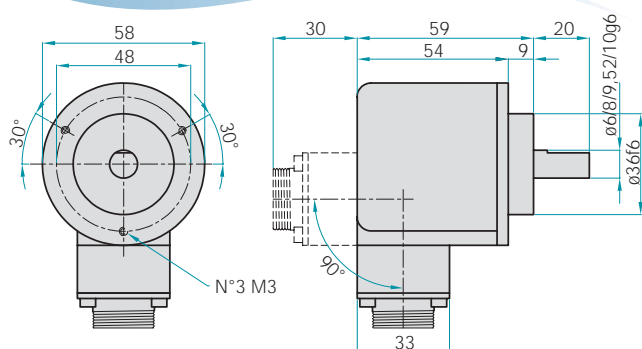
Shaft incremental encoder

EH-EL 58 B / C / H / T

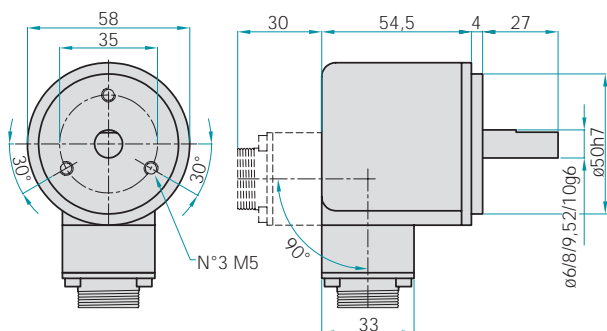
EH-EL 58 B



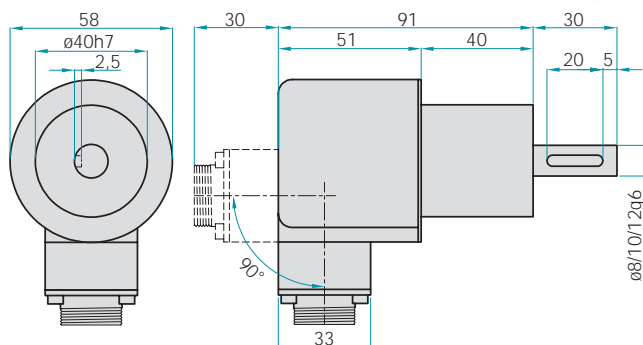
EH-EL 58 C



EH-EL 58 H



EH-EL 58 T



EL series electrical specifications

Resolution	From 1 to 10000 PPR
Input voltage	5 ÷ 28 Vdc LINE DRIVER only available with input voltage 5 / 8-24 Vdc
Input current with no output load	100 mA Max
Source and sink current	50 mA for channel 20 mA for channel with LINE DRIVER
Output types	NPN / NPN OPEN COLLECTOR / PUSH PULL / LINE DRIVER
Output frequency	Max 300 KHz
Frequency response	$F = \frac{\text{RPM} \times \text{Resolution}}{60}$

EH series electrical specifications

Resolution	From 40 to 1024 PPR
Input voltage	5Vdc / 8 ÷ 24 Vdc
Input current with no output load	100 mA Max
Source and sink current	50 mA for channel 20 mA for channel with LINE DRIVER
Output types	NPN / NPN OPEN COLLECTOR / PUSH PULL / LINE DRIVER
Output frequency	Max 100 KHz
Frequency response	$F = \frac{\text{RPM} \times \text{Resolution}}{60}$

Mechanical specifications

Shaft diameter	ø6/8/9,52 (3/8")/10 mm g6 EH- EL58 B/C/H
Enclosure rating	IP54 standard IP66
Shaft speed	3000 RPM 6000 RPM 3000 RPM MAX with "S" enclosure rating
Max shaft load	10N (1 Kp) axial 20N (2 Kp) radial with shaft ø6 mm 200N (20 Kp) axial 200N (20 Kp) radial
Shock	50 G per 11 msec (with plastic disc) 20 G per 11 msec (with glass disc)
Vibrations	10G 10 ÷ 2000 Hz
Bearings life	10 ⁹ revolutions
Bearings	n° 2 Ball bearings
Shaft material	Stainless steel AISI303
Body material	Aluminium D11S - UNI 9002/5
Housing material	PA 66 reinforced with fiber glass
Operating temperature	0° ÷ +60°C
Storage temperature	-25° ÷ +70°C
Weight	300 g