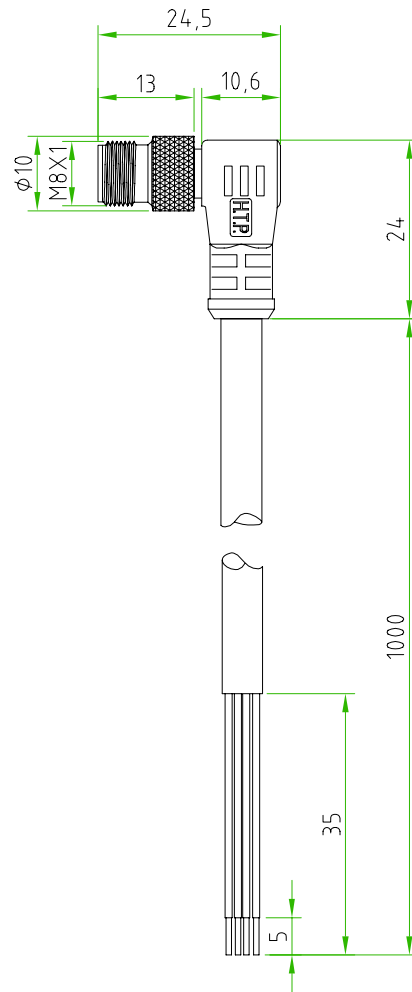
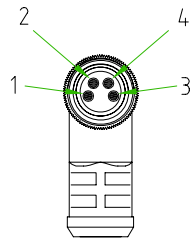


- BROWN ———— 1
- WHITE ———— 2
- BLUE ———— 3
- BLACK ———— 4



CONNECTOR FEATURES	CONNECTOR TYPE	M8 90°
	CONTACT TYPE	MALE 4POLES
	CABLE LENGHT	1000mm
	PROTECTION CLASS	IP69K
	STRIPPING	35mm STANDARD
	PEELING	5mm STANDARD
CABLE FEATURES	NUMBER OF CONTACTS CONNECTED	N°4
	CONNECTOR WITH H.T.P.LOGO	
	H.T.P.CABLE CODE	A
	NUMBER OF CONDUCTORS	N°4
	CONDUCTOR SECTION	0.25mm ²
	CABLE MATERIAL	PVC CEI2022
COATING COLOUR	BLACK	
CONDUCTOR INSULATION MATERIAL	PVC	

TOLLERANZE		DISEGNATORE LORENZO CIMMINO		DATA	SCALA		DISEGNO N.
UdM	ANGOLO	CONTROLLATO		28-09-11	1:1		
DESCRIZIONE M8 MALE 90° 4 POLES WITH CABLE PVC/PVC CEI2022,4X0.25mm ² ,BLACK,L=1m						TIPO M8	MATERIALE
H.T.P. HIGH TECH PRODUCTS						CODICE 08MA4A1Z	