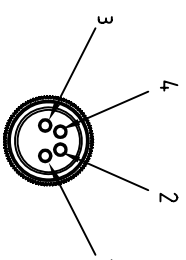
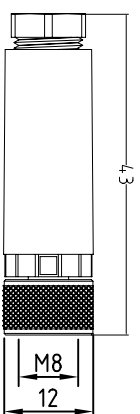
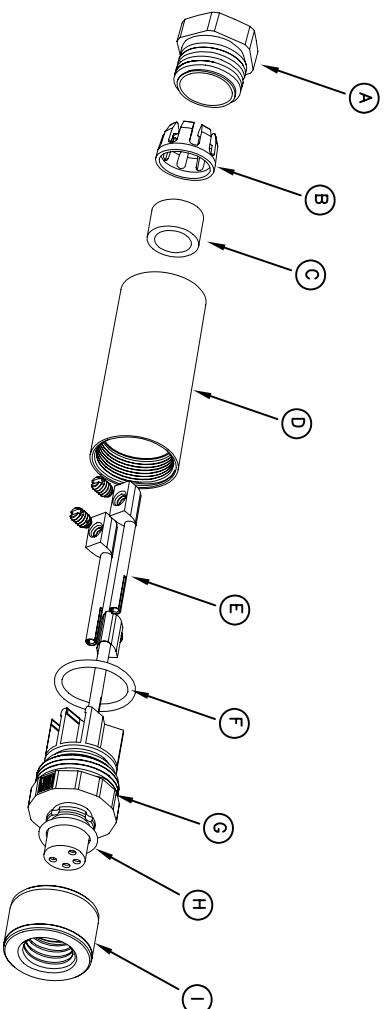


A	PRESS CABLE SREW
B	LAMELLAE PRESS-CABLE SEAL
C	GASKET PRESS-CABLE SEAL
D	HOUSING BLACK
E	SCREW CONTACT GOLD PLATED
F	O-RING
G	INTERNAL CORE M8
H	O-RING
I	M8 NUT ZN ALINI



CONNECTOR FEATURES	
PRODUCT TYPE	M8 TO CABLE
CONTACT TYPE	SCREW FEMALE
NUMBER OF CONTACTS	4 POLES
HOUSING MATERIAL	NYLON6-30%GLASS FIBRE
HOUSING TYPE	180°
HOUSING COLOUR	BLACK
EXIT CABLE	PG7
RATED VOLTAGE	30V AC/DC
RATED CURRENT	4A
COUPLING NUT MATERIAL	Zn Al/NI
O-RING	NBR
PROTECTION CLASS	IP67
TEMPERATURE RANGE	-25°C TO +70°C

TOLLERANZE	DESIGNATORE	DATA	SCALA	DESIGNO N.
U4H	LORENZO CHINNO CONTROLLATO	25.08.09	1:1	
DESCRIZIONE		TR0		MATERIALE
M8 FEMALE STRAIGHT 180° 4 POLES, WITHOUT H.T.P. LOGO, BLACK HOUSING, TO CABLE WITH SCREW CONTACT.		M8		
		<b>H.T.P.</b> HIGH TECH PRODUCTS		<b>08FC4000-SY</b>